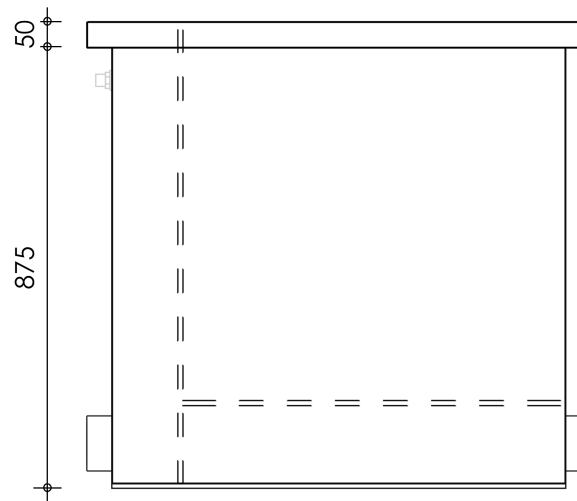
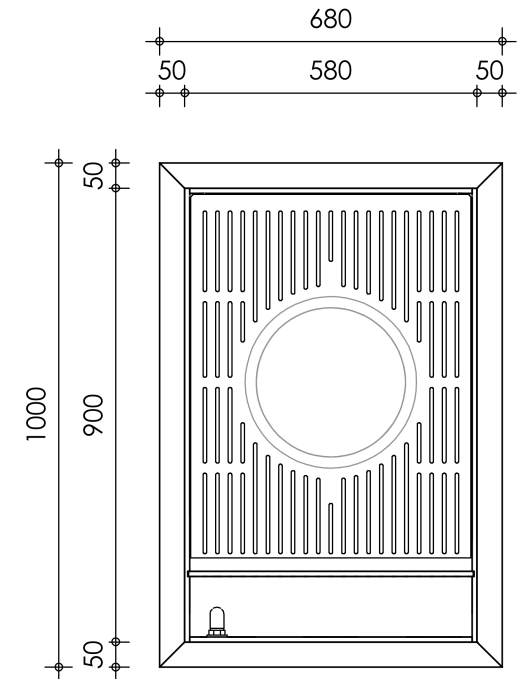


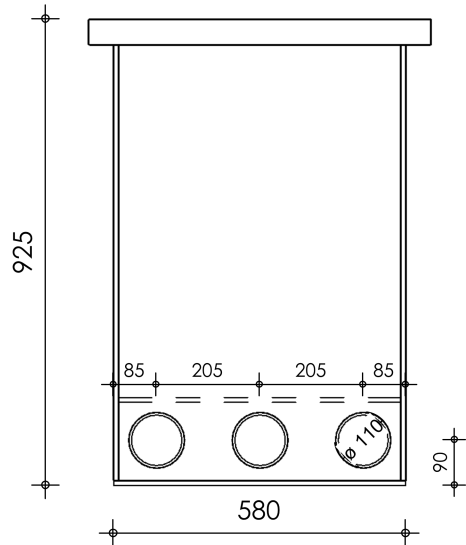
Front view



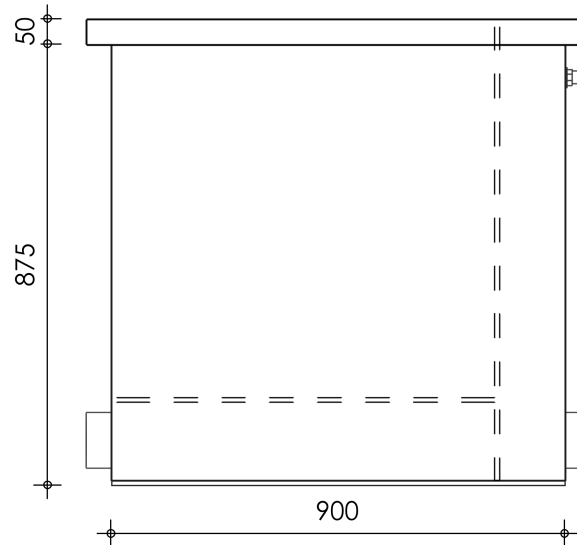
Right-side view



Top view



Rear view



Left-side view

**description:**  
BK150 - Biochamber

**scale :**  
1 : 15

**date :**  
2024