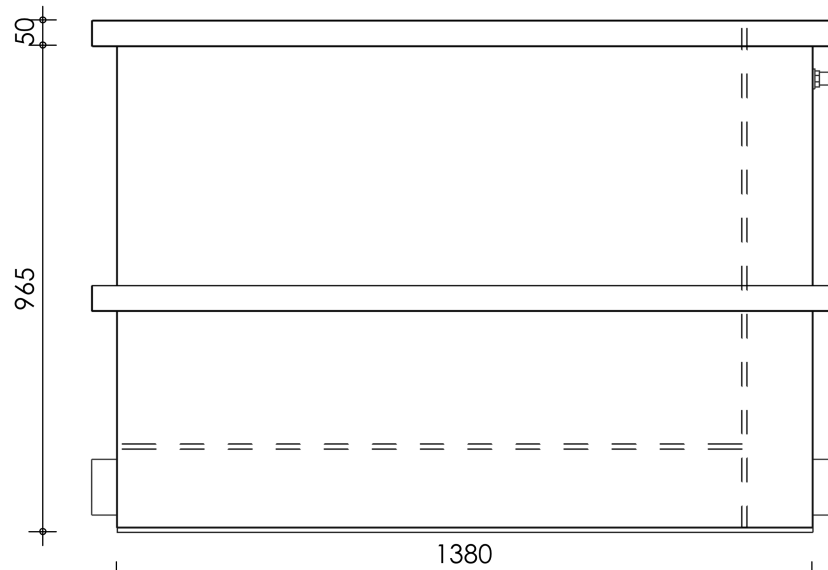
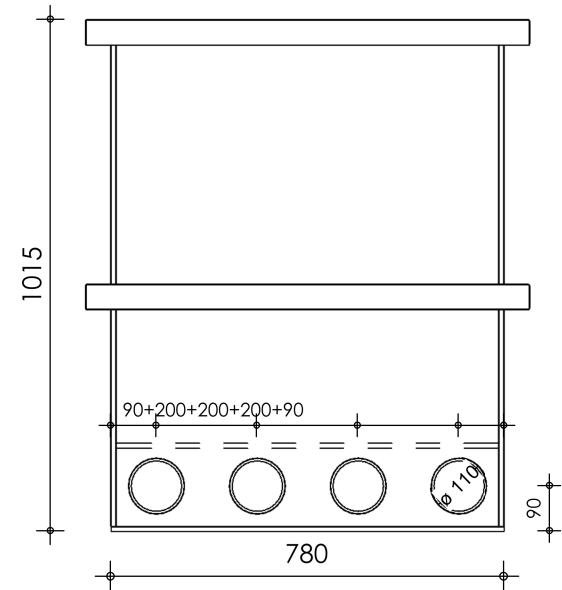


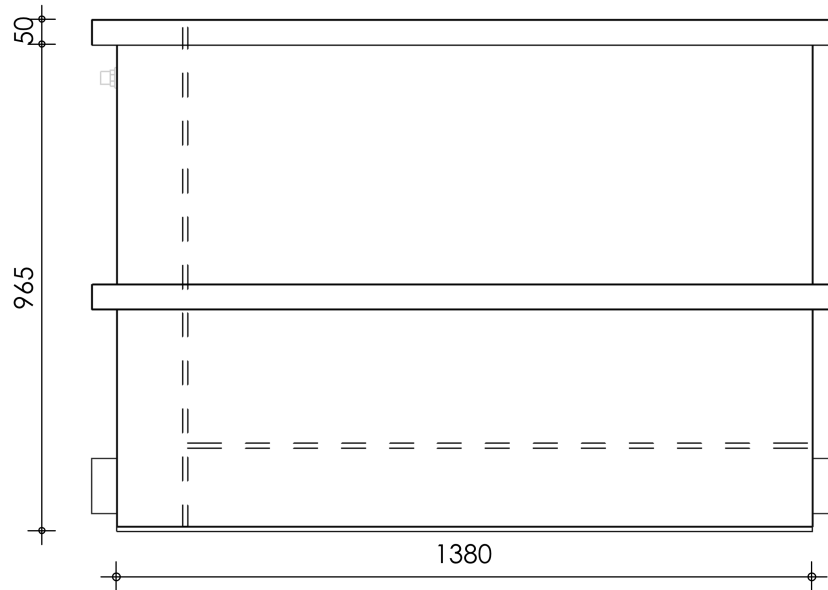
Front view



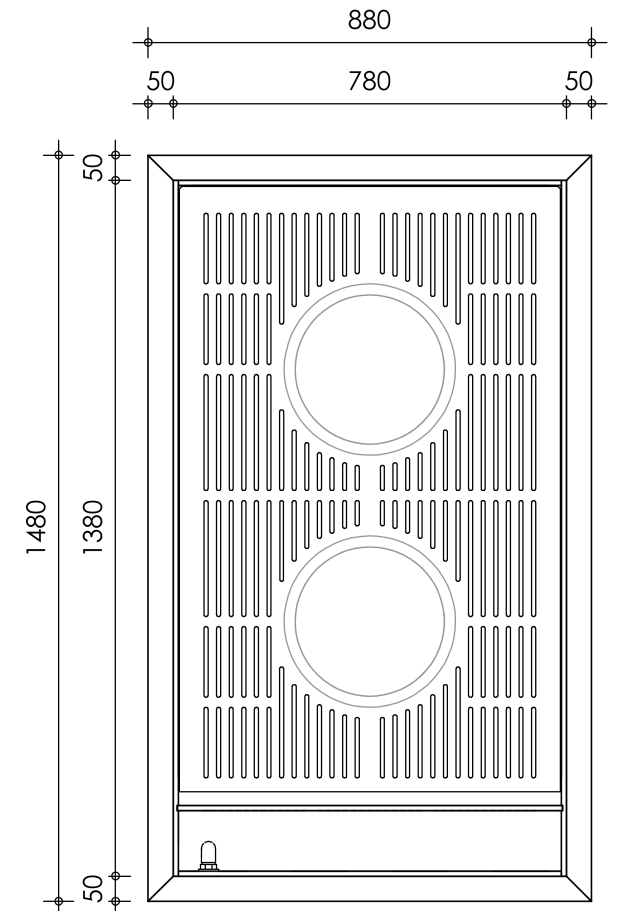
Left-side view



Rear view



Right-side view



Top view

**description:**  
BK450 - biochamber

**scale :**  
1 : 15

**date :**  
2024

