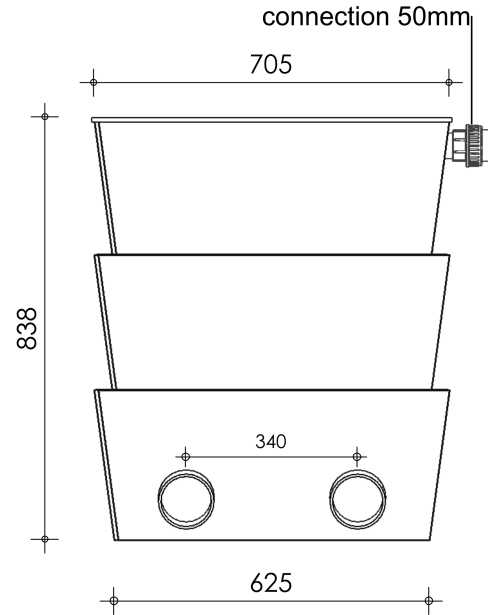
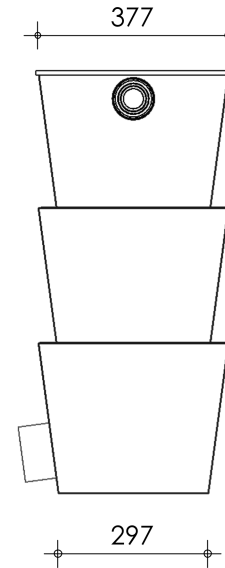


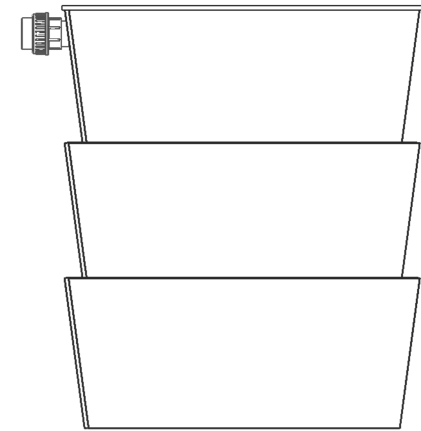
Left-side view



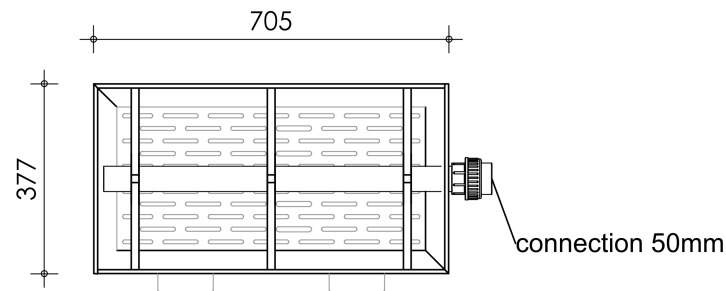
Front view



Right-side view



Rear view



Top view

Filter media

Bacteria House -.308 rods (4 boxes)

description:
TF60 - Trickle filter 2x110

scale :
1 : 15

date/+version :
v.2022

